

## PERFORMANCE

	MBR71
Total Static Basic Weight (kg)	504
Operating Weight (kg) CECE	513
Static Linear Load (kg/cm)	7.2
Frequency - Hz (VPM)	65 (3900)
Amplitude (mm)	0.66
Centrifugal Force (kN)	9.0
Gradeability - Without Vibration	33 %
Gradeability - With Vibration	25 %

## ENGINE & DRIVE

	MBR71
Engine Make	Hatz
Engine Model	1D42S
Cylinders	1
Displacement (cc)	445.7
Cooling	Air
Power - kW (HP) (DIN ISO 1585)	6.6 (8.85)
Operating Speed (rpm)	3000
Fuel Type	Diesel
Drive	Hydrostatic via Duplex Chain
Maximum Travel Speed (kph) - Forwards	3.2
Maximum Travel Speed (kph) - Reverse	1.0
Braking System - Service	Dynamic Hydrostatic
Braking System - Parking	Spring Apply / Hydraulic Release (Over Centre)
Start Type	Electric

## CAPACITIES

	MBR71
Hydraulic Tank Capacity (litres)	7.5
Fuel Tank Capacity (litres)	5
Water Tank Capacity (litres)	20

## EMISSIONS

	MBR71
Noise (dB) - LwA (2000/14/EC / ISO 4871)	92.0dB
Engine Emissions	EPA IV / Euro Stage IIIA
Hand Arm Vibration (HAV) - (EN500-4)	3.6m/s <sup>2</sup>

## EXCITER

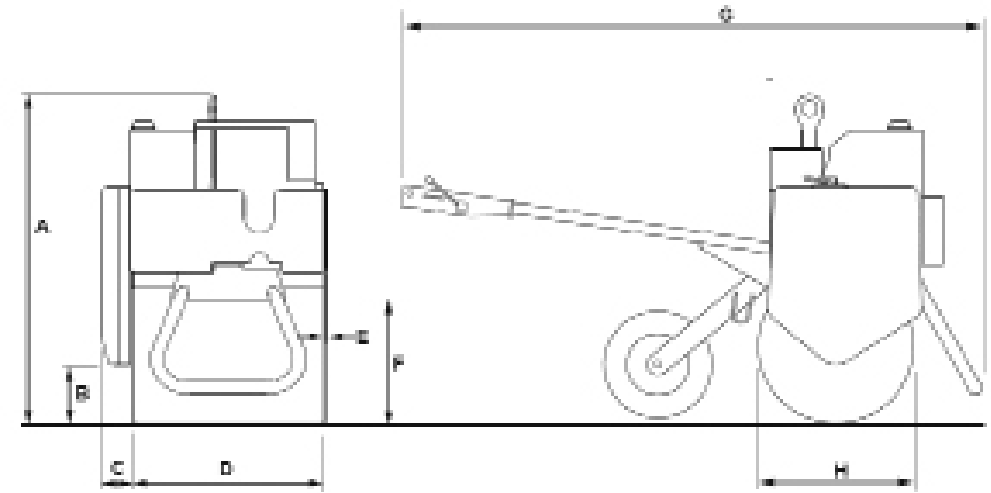
	MBR71
Type	Single Shaft
Drive	Vee Belt / Dry Clutch

## WATER SPRAY SYSTEM

	MBR71
System Type	Gravity Fed with Non-Corrosive Spray Bar

## DRUM SCRAPER BARS

	MBR71
System Type	Heavy Duty Adjustable - Front and Rear



## DIMENSIONS

Dimensions in mm	MBR71
A Overall Height	1300
B Curb Clearance - Farside	215
C Overhang - Farside	110
D Drum Width	710
E Overhang - Curbside	16
F Curb Clearance - Curbside	410
G Overall Length	2180
H Drum Diameter	575
Drum Shell Thickness (not shown)	8.0

## STANDARD / OPTIONAL EQUIPMENT

	MBR71
Gravity Fed Water System	Standard
Drum Scraper Bars Front and Rear	Standard
Operators' Proximity Switch	Standard
Low Maintenance Battery (12V)	Standard
Emergency Release Free Wheel Valve	Standard
Heavy Duty Central Lifting Point	Standard
Vandal Protection Package - Lockable Instrument Cover	Standard
Battery Isolator	Standard
Emergency Stop	Standard
Front Prop Stand	Standard
Rear Jockey Wheel	Standard
Electric Starting	Standard
Hour Meter	Standard
30 litres / minute hydraulic take-off valve	Standard
Stanley BR50 Vibro-Damped Hydraulic Breaker with tools, valve and hosing (light use only)	Option
Stanley BR67 Vibro-Damped Hydraulic Breaker with tools, valve and hosing (must be carried on towing vehicle)	Option
'Towit' Tow-Behind Trailer with Storage Box, Prop-Stand, Number Plate Lighting and Road Lighting	Option
Rear Prop Stand	N/A